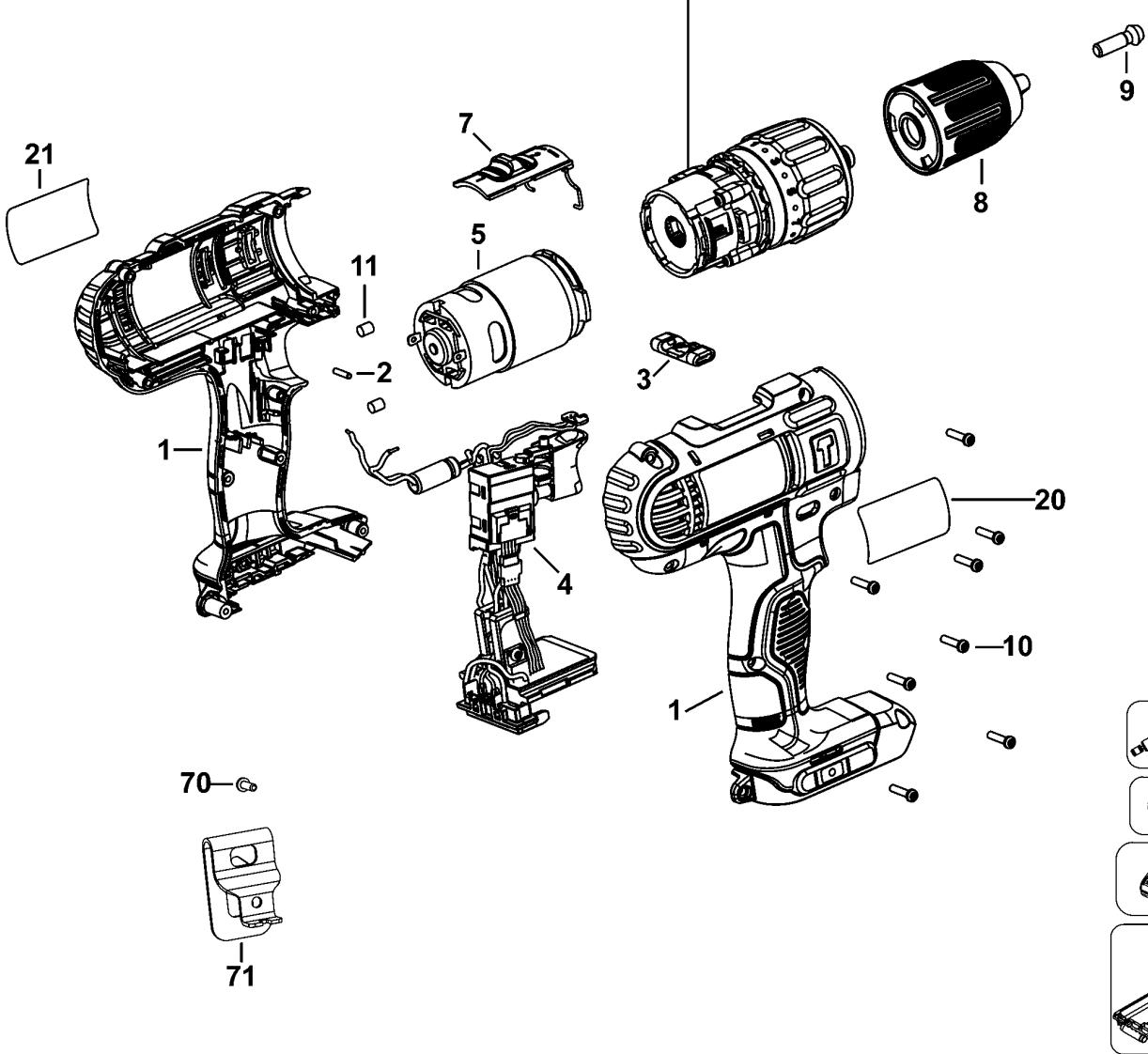
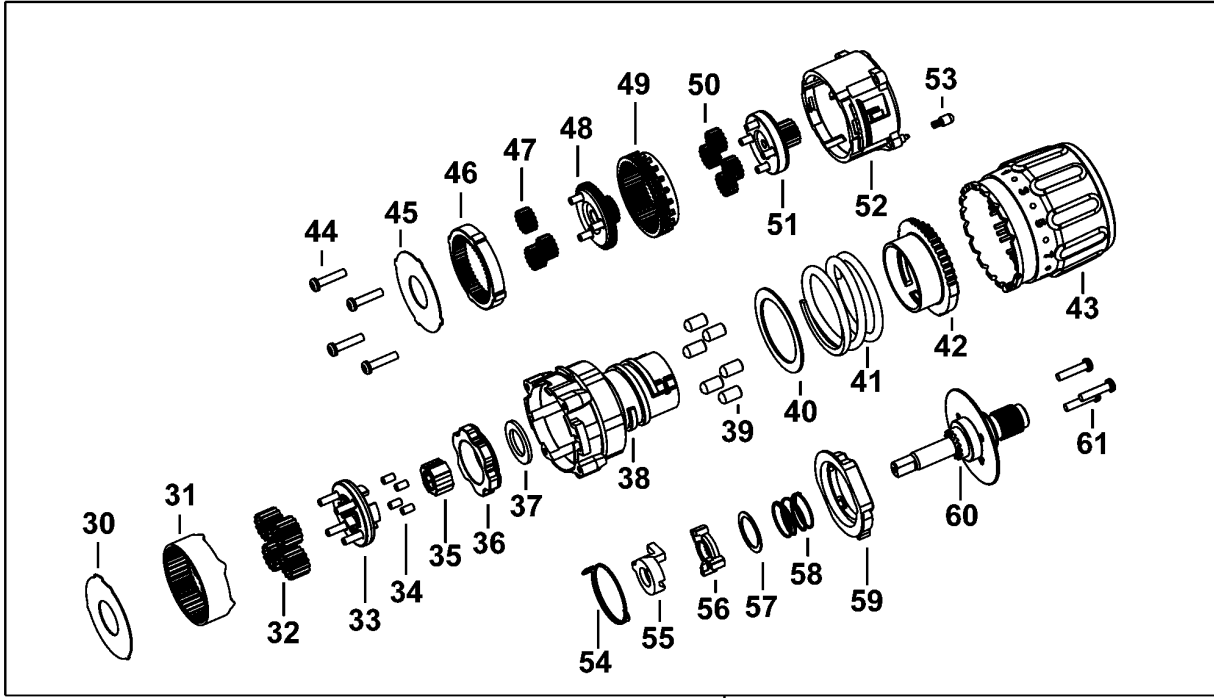


DCD776 CORDLESS DRILL 1



Parts List DCD776 CORDLESS DRILL 1

| Item | Part Number | Qty | Part Description | General Description | Other Info | Repair Inst | Markets |
|------|-------------|-----|------------------|---------------------|------------|-------------|---------|
| 1 | N428190 | 1 | CLAMSHELL PAIR | | | No | QW |
| 2 | N071836 | 1 | ROLL PIN | | | No | QW |
| 3 | N151983 | 1 | ACTUATOR FWD/REV | | | No | QW |
| 4 | N868643 | 1 | SERVICE KIT | | | No | QW |
| 5 | N376649 | 1 | MOTOR SA | | | No | QW |
| 6 | N376646 | 1 | TRANSMISSION SA | | | No | QW |
| 7 | N153906 | 1 | SELECTOR SA | | | No | QW |
| 8 | N472497 | 1 | CHUCK | | | No | QW |
| 9 | N092854 | 1 | SCREW | | | No | QW |
| 10 | 682211-00 | 8 | SCREW | | | No | QW |
| 11 | N015397 | 2 | PLUG | | | No | QW |
| 20 | N319159 | 1 | RATING PLATE | | | No | QW |
| 21 | N309544 | 1 | BRAND LABEL | | | No | QW |
| 30 | N225459 | 1 | PLATE | | | No | QW |
| 31 | N215912 | 1 | GEAR | | | No | QW |
| 32 | N215913 | 4 | GEAR | | | No | QW |
| 33 | N362740 | 1 | CARRIER | | | No | QW |
| 34 | N236379 | 4 | PIN | | | No | QW |
| 35 | N218992 | 1 | ANVIL | | | No | QW |
| 36 | N209232 | 1 | LOCKING RING | | | No | QW |
| 37 | N223513 | 1 | WASHER | | | No | QW |
| 38 | N376650 | 1 | HOUSING SA | | | No | QW |
| 39 | N253280 | 12 | PIN | | | No | QW |
| 40 | N256699 | 1 | WASHER | | | No | QW |
| 41 | N210954 | 1 | SPRING | | | No | QW |
| 42 | N260199 | 1 | ADJUSTER TORQUE | | | No | QW |
| 43 | N237359 | 1 | COLLAR | | | No | QW |
| 44 | N317559 | 4 | SCREW | | | No | QW |
| 45 | N225458 | 1 | PLATE | | | No | QW |
| 46 | N215917 | 1 | GEAR | | | No | QW |
| 47 | N215916 | 3 | GEAR | | | No | QW |
| 48 | N362719 | 1 | CARRIER | | | No | QW |

Parts List DCD776 CORDLESS DRILL 1

| Item | Part Number | Qty | Part Description | General Description | Other Info | Repair Inst | Markets |
|------|-------------|-----|----------------------------|---------------------|------------|-------------|---------|
| 49 | N256760 | 1 | GEAR | | | No | QW |
| 50 | N215916 | 4 | GEAR | | | No | QW |
| 51 | N362739 | 1 | CARRIER | | | No | QW |
| 52 | N218316 | 1 | HOUSING | | | No | QW |
| 53 | 326467-00 | 1 | DETENT | | | No | QW |
| 54 | N237139 | 1 | SPRING | | | No | QW |
| 55 | N236540 | 1 | RATCHET | | | No | QW |
| 56 | N236579 | 1 | RATCHET | | | No | QW |
| 57 | N276970 | 1 | WASHER | | | No | QW |
| 58 | N237919 | 1 | SPRING | | | No | QW |
| 59 | N366639 | 1 | DETENT | | | No | QW |
| 60 | N376651 | 1 | SPINDLE SA | | | No | QW |
| 61 | N036457 | 3 | SCREW | | | No | QW |
| 70 | N042665 | 1 | SCREW | | | No | QW |
| 71 | N086039 | 1 | HOOK | | | No | QW |
| 861 | N348599 | 1 | KITBOX | | | No | QW |
| 866 | N123282 | 1 | BATTERY 18V - 1.5AH - 27WH | | DCD776S2 | No | QW |
| 866 | N558124 | 1 | BATTERY 18V - 1.5AH - 27WH | DCB181-XJ | | No | QW |
| 871 | NA010209 | 1 | CHARGER 10.8V - 18V | DCB115 | | No | QW |